

T-CP270AB

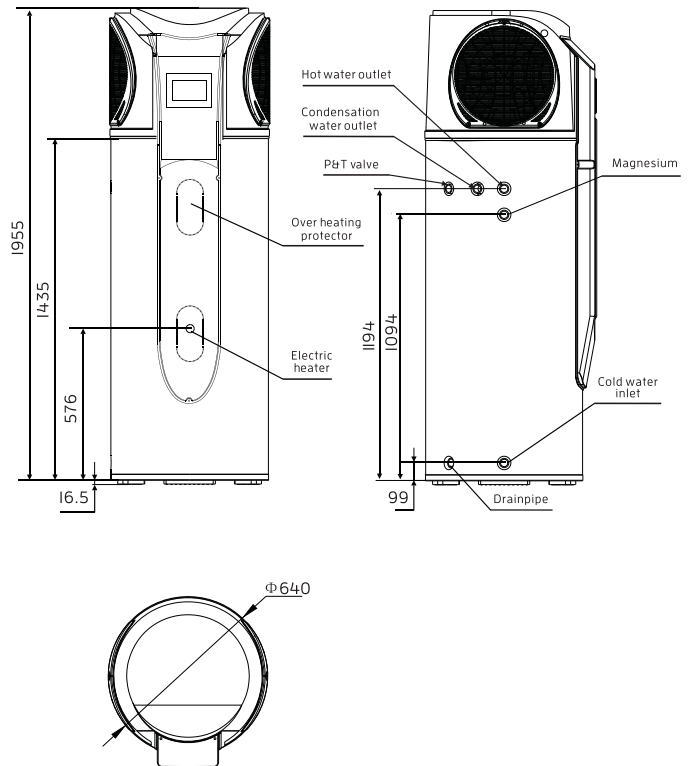
270 LITRE COMPACT SYSTEM

The Compact System combines a high efficiency Heat Pump with an integral hot water storage tank. The system is able to offer an all-in-one solution suitable for small scale or domestic applications at ~4 times the efficiency of electric or gas.



MODEL	T-CP270AB	
Power Supply	220-240V-50Hz 1Ph	
Max Heat Pump Heating Capacity	4.8kW	
Rated Heat Pump Heating Capacity* ¹	3.4kW	
Rated Heat Pump Power Input* ¹	0.9kW	
Rated Heat Pump COP* ¹	3.8	
Max HeatPump Power Input	1.4kW	
Max Auxiliary Electrical Heating	1.5kW	
Max Total Power Input	2.9kW	
Max Total Current Input	12.6A @ 230V	
Water Tank Capacity	270L	
Rated Hot Water Yield* ¹	90L/hr	
Rated Water Tank Pressure	700kPa	
Max Water Tank Pressure / P&T	850kPa	
Water Inlet & Outlet Size	¾" Female BSP	
Rated Water Temp / Max Water Temp	60°C	70°C
Working Ambient Temperature Range	0°C~40°C	
Noise	52dB(A)	
Moisture Resistance IP rating	IPX3	
Electrical Protection	IEC Class I	
Refrigerant Type / Quantity	R134a	1450g
Compressor Type / Brand	Rotary	Hitachi
Operation Pressure Lowside / Highside	1300kPa	2100kPa
Heat exchanger type	Wrap-around coil	
Unit (dry) / Shipping weight	135kg	151kg
Unit dimensions	ø640 × 1955 mm	
Shipping dimensions	720 × 760 × 2015 mm	

TECHNICAL DRAWING



**3 YEARS
PARTS WARRANTY**

VO.1 20170317