

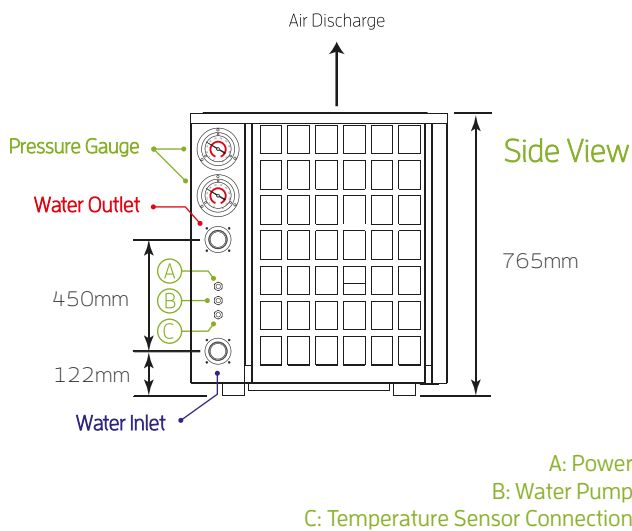
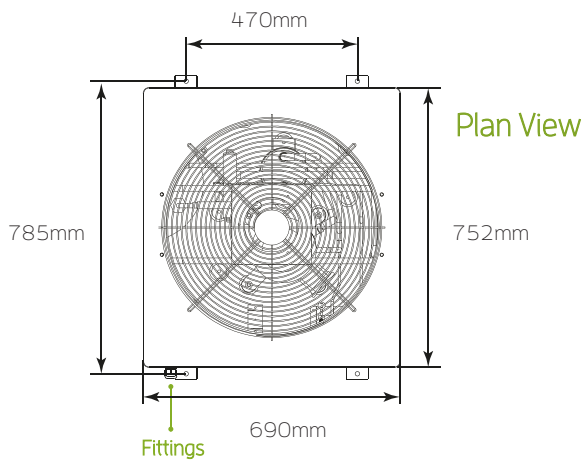
T-HP105AB

10.5KW HOT WATER HEAT PUMP

Heat Pumps are the workhorse of the Tivok Energy Thermal System. Heat Pumps utilise the heat energy in the air to heat water at an energy efficiency greater than 4 times*¹ that of conventional electric or gas heaters. Not suitable for swimming pool heating.



TECHNICAL DRAWING



**3 YEARS
PARTS WARRANTY**

CE RoHS

MODEL	T-HP105AB
Heating Output*	10.5kW
Coefficient of Performance (COP)*	4.12
Hot Water Yield*	226 L/hour
Default Water Temp / Max Water Temp	55°C / 60°C
Working Ambient Temperature Range	-15°C to 43°C
Input Voltage / Frequency / Phase	220-240V-50Hz 1ph
Power Input*	2.55kW
Max Current / 55°C Running Current*	17.5A / 12.5A
Starting Current	63A
IP Rating	Outdoor Rated IPX4
Electrical Protection	IEC Protection Class I
Water Heat Exchanger Material / Type	Copper / Shell & Tube
Min / Recommended Water Flow Rate	2m ³ /hour / 2.5m ³ /hour
Water Pressure Drop / Max Pressure	30kPa / 4.2MPag
Water Inlet / Outlet Fittings	DN25 BSP 1" Female
Refrigerant Type / Quantity	R-410A / 2kg
Compressor Type / Brand	Rotary / Toshiba
Noise level at 1 meter	<55 dB(A)
Controller	Multifunction LCD Controller
Net / Gross Weight	87kg / 103kg
Heat Pump Unit Dimensions	752×690×765mm
Packaging Dimensions	840×750×900mm

V1.0 20170202