

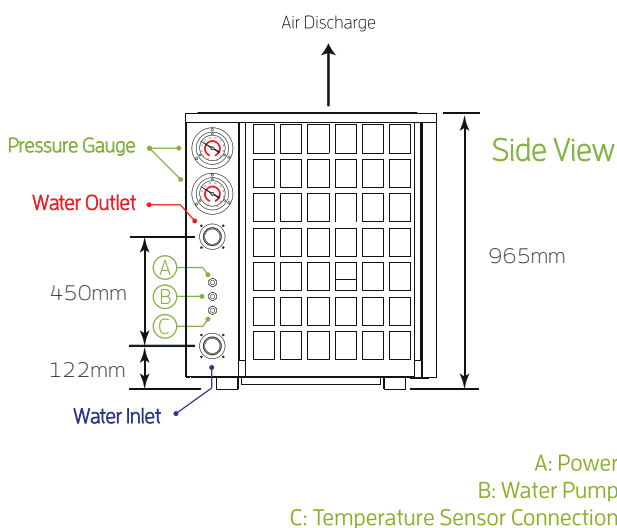
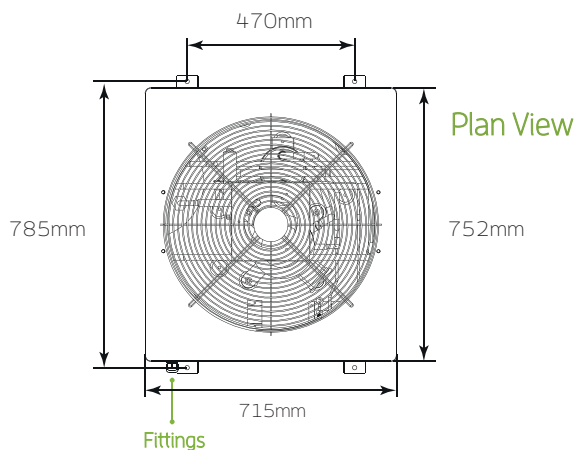
T-HP200AB

20KW HOT WATER HEAT PUMP

Heat Pumps are the workhorse of the Tivok Energy Thermal System. Heat Pumps utilise the heat energy in the air to heat water at an energy efficiency greater than 4 times*¹ that of conventional electric or gas heaters. Not suitable for swimming pool heating.



TECHNICAL DRAWING



MODEL

T-HP200AB

Heating Output*	19kW
Coefficient of Performance (COP)*	4.18
Hot Water Yield*	408 L/hour
Default Water Temp / Max Water Temp	55°C / 60°C
Working Ambient Temperature Range	-15°C to 43°C
Input Voltage / Frequency / Phase	380-415V-50Hz 3ph
Power Input*	4.55kW
Max Current / 55°C Running Current*	11A / 7.8A
Starting Current	52A
IP Rating	Outdoor Rated IPX4
Electrical Protection	IEC Protection Class I
Water Heat Exchanger Material / Type	Copper / Shell & Tube
Min / Recommended Water Flow Rate	4.1m ³ /hour / 5.0m ³ /hour
Water Pressure Drop / Max Pressure	40kPa / 4.2MPag
Water Inlet / Outlet Fittings	DN25 BSP 1" Female
Refrigerant Type / Quantity	R-410A / 3kg
Compressor Type / Brand	Scroll / Sanyo
Noise level at 1 meter	<57 dB(A)
Controller	Multifunction LCD Controller
Net / Gross Weight	119kg / 137kg
Heat Pump Unit Dimensions	752×715×965mm
Packaging Dimensions	840×780×1100mm

**3 YEARS
PARTS WARRANTY**

CE RoHS