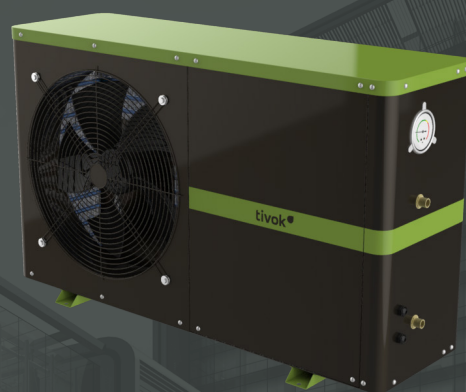


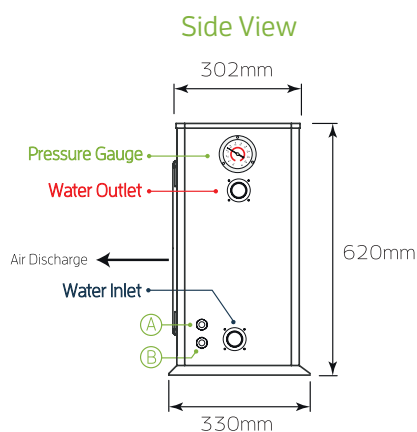
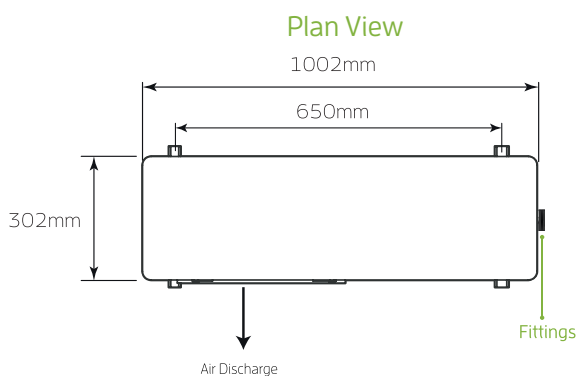
# T-HP72AB

## 7.6KW HOT WATER HEAT PUMP

Heat Pumps are the workhorse of the Tivok Energy Thermal System. Heat Pumps utilise the heat energy in the air to heat water at an energy efficiency greater than 4 times\*<sup>1</sup> that of conventional electric or gas heaters. Not suitable for swimming pool heating.



### TECHNICAL DRAWING



A: Power  
B: Water Tank Temperature Sensor

MODEL	T-HP72AB
Heating Output*	7.6kW
Coefficient of Performance (COP)*	4.25
Hot Water Yield*	155 L/hour
Default Water Temp / Max Water Temp	55°C / 60°C
Working Ambient Temperature Range	-15°C to 43°C
Input Voltage / Frequency / Phase	220-240V-50Hz 1ph
Power Input (With Pump)*	1.79kW
Max Current / 55°C Running Current*	12.4A / 8.2A
Starting Current	35A
IP Rating	Outdoor Rated IPX4
Electrical Protection	IEC Protection Class I
Water Heat Exchanger Material / Type	Copper / Shell & Tube
Min / Recommended Water Flow Rate	1.2m <sup>3</sup> /hour / 2.3m <sup>3</sup> /hour
Water Circulation Pump	WILO RS 15/6
Water Pressure Drop / Max Pressure	25kPa / 4.2MPag
Water Inlet / Outlet Fittings	DN20 BSP 3/4" Female
Refrigerant Type / Quantity	R-410A / 0.95kg
Compressor Type / Brand	Rotary / Mitsubishi
Noise level at 1 meter	<54 dB(A)
Controller	Multifunction LCD Controller
Net / Gross Weight	60kg / 65kg
Heat Pump Unit Dimensions	1002x302x620mm
Packaging Dimensions	1080x380x755mm

**3 YEARS  
PARTS WARRANTY**

**CE RoHS**