

T-PHP140AB

14KW SWIMMING POOL HEAT PUMP

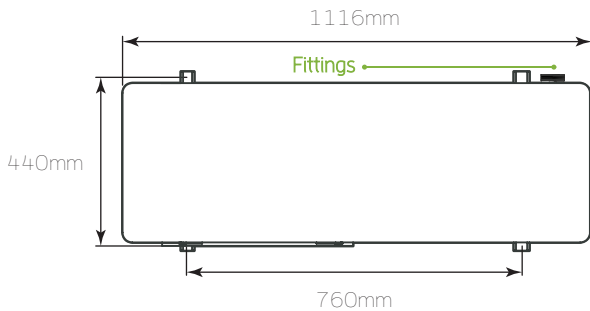
Tivok Swimming Pool Heat Pumps are an energy efficient way to heat and maintain comfortable swimming pool temperatures.

The heat pump heats chlorinated or salt water pools at an efficiency greater than 5 times^{*1} that of conventional electric or gas heaters.

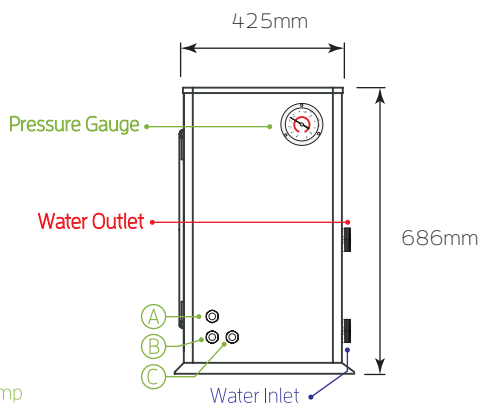


TECHNICAL DRAWING

Plan View



Side View



A: Power
B: Water Pump
C: Temperature Sensor Connection

**3 YEARS
PARTS WARRANTY**

CE RoHS

**10 YEARS
TITANIUM HEAT EXCHANGER WARRANTY**

| MODEL | T-PHP140AB |
|--|---|
| Heating Output* | 14.0kW |
| Coefficient of Performance (COP)* | 5.35 |
| Maximum Recommended Pool Size [^] | 65m ³ |
| Default Water Temp / Max Water Temp | 28°C / 43°C |
| Working Ambient Temperature Range | -5°C to 43°C |
| Input Voltage / Frequency / Phase | 220-240V-50Hz 1ph |
| Power Input* | 2.61kW |
| Max Current / Running Current* | 20A / 12.5A |
| Starting Current | 62A |
| IP Rating | Outdoor Rated IPX4 |
| Electrical Protection | IEC Protection Class I |
| Water Heat Exchanger Material | Titanium |
| Min / Recommended Water Flow Rate | 1.5m ³ /hour / 4m ³ /hour |
| Water Pressure Loss / Max Water Pressure | 25kPa / 1MPa _g |
| Water Inlet / Outlet Fittings | DN40 PVC Female |
| Refrigerant Type / Quantity | R-410A / 1.5kg |
| Compressor Type/Brand | Scroll / Sanyo |
| Noise Level (1m, 4m, 10m) ^{^^} | 52, 40, 32dB(A) |
| Controller | Multifunction LCD Controller |
| Air Discharge Direction | Side Discharge |
| Net / Gross Weight | 85kg / 107kg |
| Heat Pump Unit Dimensions | 1116×425×686mm |
| Packaging Dimensions | 1250×505×825mm |

V2.3 20170210