

T-PHP200AB

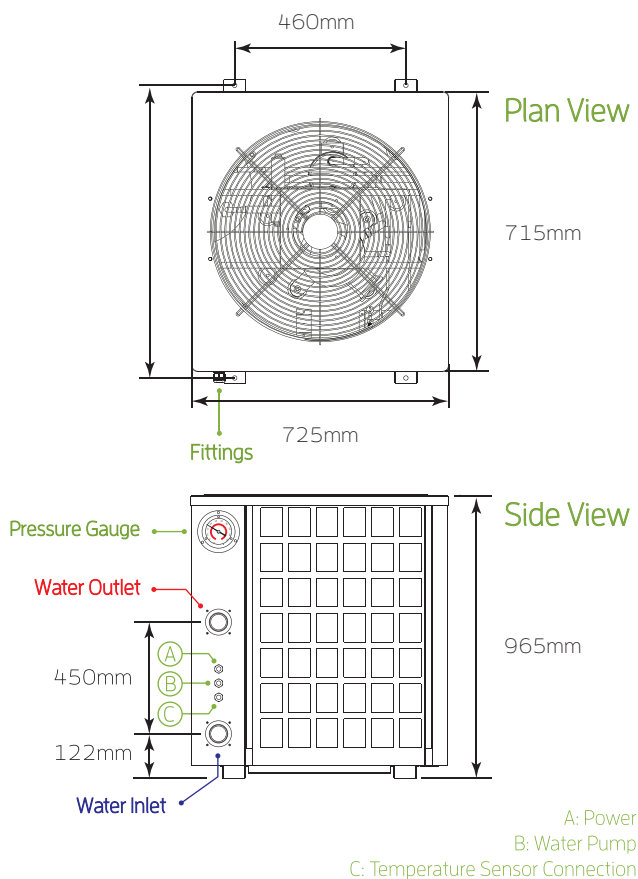
20KW SINGLE PHASE POOL HEAT PUMP

Tivok Swimming Pool Heat Pumps are an energy efficient way to heat and maintain comfortable swimming pool temperatures.

This Swimming Pool Heat Pump Operates from single phase power and heats chlorinated or salt water pools at an efficiency greater than 5 times*¹ that of conventional electric or gas heaters.



TECHNICAL DRAWING



**3 YEARS
PARTS WARRANTY**

**10 YEARS
TITANIUM HEAT EXCHANGER WARRANTY**

MODEL	T-PHP200AB
Heating Output*	20kW
Coefficient of Performance (COP)*	5.8
Maximum Recommended Pool Size [^]	95m ³
Default Water Temp / Max Water Temp	28°C / 43°C
Working Ambient Temperature Range	-5°C to 43°C
Input Voltage / Frequency / Phase	220-240V-50Hz 1ph
Power Input*	3.45kW
Max Current / Running Current*	30A / 16.5A
Starting Current	41.5A
IP Rating	Outdoor Rated IPX4
Electrical Protection	IEC Protection Class I
Water Heat Exchanger Material	Titanium
Min / Recommended Water Flow Rate	1.5m ³ /hour / 6.4m ³ /hour
Water Pressure Loss / Max Water Pressure	30kPa / 1MPa _g
Water Inlet / Outlet Fittings	DN40 PVC Female
Refrigerant Type / Quantity	R-410A / 2.8kg
Compressor Type/Brand	Scroll / Copeland
Noise Level (1m, 4m, 10m) ^{^^}	54, 42, 33dB(A)
Controller	Multifunction LCD Controller
Air Discharge Direction	Top Discharge
Net / Gross Weight	116kg / 138kg
Heat Pump Unit Dimensions	725x715x965mm
Packaging Dimensions	840x780x1100mm