

T-PHP260AB

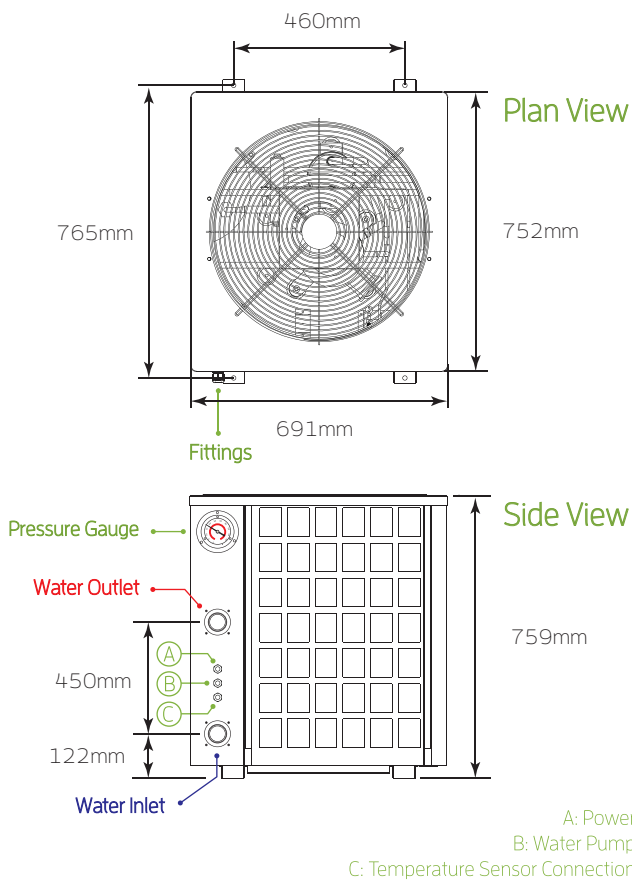
26KW SWIMMING POOL HEAT PUMP

Tivok Swimming Pool Heat Pumps are an energy efficient way to heat and maintain comfortable swimming pool temperatures.

The heat pump heats chlorinated or salt water pools at an efficiency greater than 5 times^{*1} that of conventional electric or gas heaters.



TECHNICAL DRAWING



**3 YEARS
PARTS WARRANTY**



**10 YEARS
TITANIUM HEAT EXCHANGER WARRANTY**

MODEL	T-PHP260AB
Heating Output*	26kW
Coefficient of Performance (COP)*	5.47
Maximum Recommended Pool Size [^]	118m ³
Default Water Temp / Max Water Temp	28°C / 43°C
Working Ambient Temperature Range	-5°C to 43°C
Input Voltage / Frequency / Phase	380-415V-50Hz 3ph
Power Input*	4.75kW
Max Current / Running Current*	14A / 8.39A
Starting Current	39.5A
IP Rating	Outdoor Rated IPX4
Electrical Protection	IEC Protection Class I
Water Heat Exchanger Material	Titanium
Min / Recommended Water Flow Rate	1.5m ³ /hour / 7.5m ³ /hour
Water Pressure Loss / Max Water Pressure	35kPa / 1MPag
Water Inlet / Outlet Fittings	DN40 PVC Female
Refrigerant Type / Quantity	R-410A / 3.2kg
Compressor Type/Brand	Scroll / Sanyo
Noise Level (1m, 4m, 10m) ^{^^}	54, 44, 34dB(A)
Controller	Multifunction LCD Controller
Air Discharge Direction	Top Discharge
Net / Gross Weight	124kg / 146kg
Heat Pump Unit Dimensions	752×691×759mm
Packaging Dimensions	840×750×1100mm

V2.4 20170202