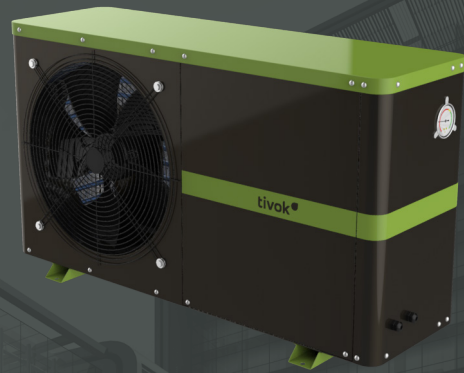


# T-PHP79AB

## 7.9KW SWIMMING POOL HEAT PUMP

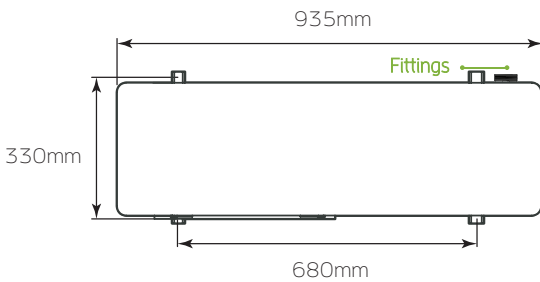
Tivok Swimming Pool Heat Pumps are an energy efficient way to heat and maintain comfortable swimming pool temperatures.

The heat pump heats chlorinated or salt water pools at an efficiency greater than 5 times<sup>\*1</sup> that of conventional electric or gas heaters.

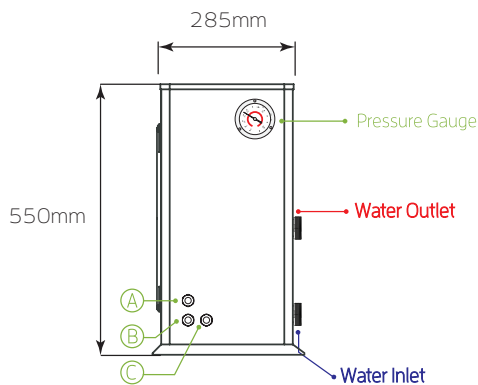


### TECHNICAL DRAWING

#### Plan View



#### Side View



A: Power  
B: Water Pump  
C: Temperature Sensor Connection

**3 YEARS  
PARTS WARRANTY**



**10 YEARS  
TITANIUM HEAT EXCHANGER WARRANTY**

MODEL	T-PHP79AB
Heating Output*	7.9kW
Coefficient of Performance (COP)*	5
Maximum Recommended Pool Size <sup>^</sup>	35m <sup>3</sup>
Default Water Temp / Max Water Temp	28°C / 43°C
Working Ambient Temperature Range	-5°C to 43°C
Input Voltage / Frequency / Phase	220-240V-50Hz 1ph
Power Input*	1.58kW
Max Current / Running Current*	12A / 7.5A
Starting Current	37.5A
IP Rating	Outdoor Rated IPX4
Electrical Protection	IEC Protection Class I
Water Heat Exchanger Material	Titanium
Min / Recommended Water Flow Rate	1.5m <sup>3</sup> /hour / 4.55m <sup>3</sup> /hour
Water Pressure Loss / Max Water Pressure	18kPa / 1MPag
Water Inlet / Outlet Fittings	DN40 PVC Female
Refrigerant Type / Quantity	R-410A / 1.1kg
Compressor Type/Brand	Rotary / Mitsubishi
Noise Level (1m, 4m, 10m) <sup>^^</sup>	51, 38, 30dB(A)
Controller	Multifunction LCD Controller
Air Discharge Direction	Side Discharge
Net / Gross Weight	60kg / 64kg
Heat Pump Unit Dimensions	935x282x550mm
Packaging Dimensions	1057x380x690mm

V2.4 20170202

\* Based on ambient air temperature 24°C (DB)/19°C (WB), inlet water temperature 27°C

<sup>^</sup> Assumes indoor pool with pool cover heated to 27 degrees, detailed system sizing should be conducted for all systems

<sup>^^</sup> Noise Level Standard: Noise from 1, 4 and 10 metres, as per the directives EN ISO 3741 & EN ISO 354